

GATE OPERATOR

BIG

25QI

230 V

Up to
2500 kg

Speed up to
19 m/min



P-500BIG25QI

230 V three-phase sliding gate operator with built-in control unit with inverter. Max. gate weight 2500 kg.



**Accessories for
BIG series**
Page 50



Further accessories:
Transmitters page 238
Photocells page 243
Flashing lights
page 246

FEATURES:

- commercial use
- for gates up to 2500 kg
- three-phase 230 V operator
- mono-phase 230 V power supply
- soft start and soft stop
- adjustable opening and closing speed of the control unit and inverter
- oil bath vertical pinion operator
- painted steel housing
- manual release mechanism
- anti-crush adjustable mechanical clutch

PROS:

- suitable for large sliding gates
- higher torque and power thanks to the inverter technology
- self-ventilated operator for intensive use
- metal and bronze gears to increase endurance and reduce noise



UNLOCK

Thanks to the large handle, the unlocking maneuver is always feasible even for particularly heavy gates.



CLUTCH

Adjustable dry clutch, interposed between the motor and the reducer, for the safeguard of the mechanical parts in case of obstacles to gate movement.



ENGINE

The ventilated three-phase motor guarantees intensive use.



ELECTRONICS

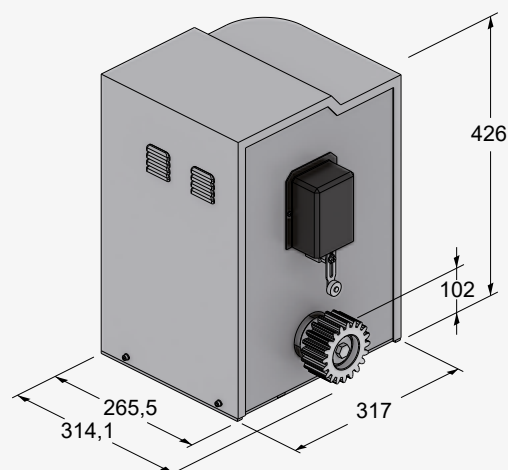
The control unit with inverter allows to vary the speed and to program the acceleration and deceleration ramps.

TECHNICAL DRAWINGS

Technical features

BIG25QI

Power supply	230 V AC (50 - 60 Hz)
Motor power supply	230 V AC (three-phase)
Open circuit voltage	3 A
Power rating	1000 W
Max. operating speed	adjustable 5 ÷ 19 m/min
Duty cycle	100 %
Operating temperature	-20° C ÷ +55° C
Motor thermal protection	150° C
Degree of protection	IP 54
Max. gate leaf weight	2500 kg
Max. weight cantilever gate leaf	1750 kg
Pinion module	4
Electronic control unit	D820M



ACCESSORIES

BIG SERIES ACCESSORIES



K-400CP25
Counterplate for P-500BIG25QI



K-400CP30
Counterplate for P-500BIG40QI



M-ING0MSTZ12 NEW
Pinion module 6 (P-500BIG25QI)

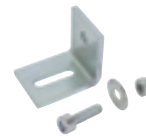


M-ING0000Z12BIG
Pinion module 6 (P-500BIG40QI)



P-550CFZ06
Steel rack 30x30 (Module 6, max 4000 kg) 2 meter sections. Pack of 10 m

P-400CFZ22
Steel rack 22x22 (Module 4, max 3000 kg) 2 meter sections. Pack of 4 m



P-400VSF20
Screws and brackets for P-400CFZ22 (40 units per pkg)



P-400PROFC
Galvanized rack attachment profile. 2 meter sections
Compatible with P-400CFZ22



P-700BAP4
Gate stopper with spring



P-900TWM
Master receiver for central interface (manages up to max. 4 TWCs).



P-900BSD15
Deformable safety edge kit / =1,5 m



P-900TWC
Battery-powered wireless slave transmitter for mobile/fixed sensitive edge (manages up to max. 2 sensitive edges per TWC).

P-900BSD18
Deformable safety edge kit / =1,8 m

P-900BSD20
Deformable safety edge kit / =2 m

P-900BSD25
Deformable safety edge kit / =2,5 m



P-250RXSM2B
Self-learning outdoor radio receiver, 433.92 MHz, two-channel, universal, to be wired with cable (14 code memory)



P-250SM126
Memory card for 126 radio codes



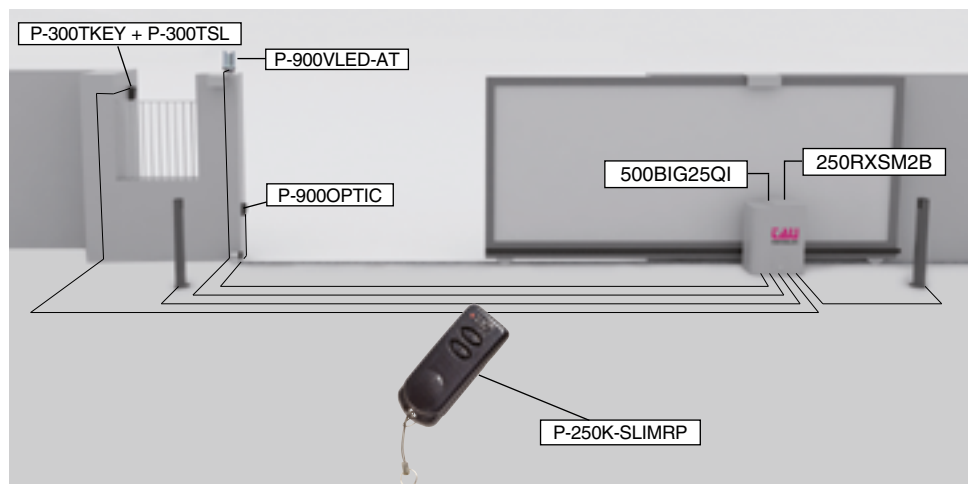
P-900VLED-AT
230 V AC white led flashing light

P-900VLED-ATO
230 V AC orange led flashing light

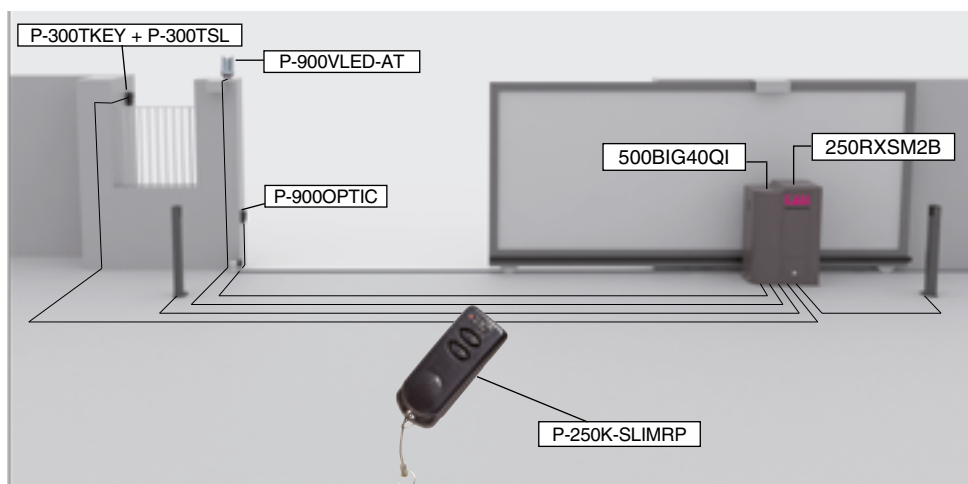


C-CRT
Warning signal

P-500BIG25QI TYPICAL SYSTEM



P-500BIG40QI TYPICAL SYSTEM



CHAIN VERSION

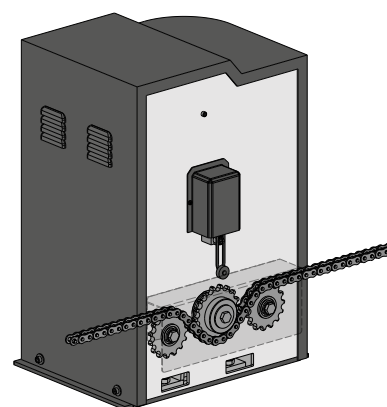
Upon request, the MASTER gearmotor is available with the pinion for chain transmission.

120 VOLT VERSION



AVAILABLE

Upon request, the BIG gearmotor is also available in the 120 Volt version for foreign markets



Use and maintenance manuals



BIG



D820M