

GATE OPERATOR MASTER

-R -RF



DC
MOTOR

Up to
1200 kg

Speed
24 m/min



P-500MASTER-R

DC sliding gate operator with encoder, complete with electronic control unit and built-in 433,92 MHz rolling code radio receiver. Speed up to 24 m/min. Max. gate weight 1200 kg.

P-500MASTER-RF

DC sliding gate operator with encoder, electromechanical limit switches, complete with electronic control unit and built-in 433,92 MHz rolling code radio receiver. Speed up to 24 m/min. Max. gate weight 1200 kg.



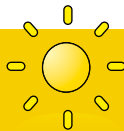
**Accessories for
MASTER series**
Page 44



Further accessories:
Transmitters page 238
Photocells page 243
Flashing lights
page 246



AVAILABLE



MADE IN ITALY

HIGH SPEED

Ready for a new challenge.



+130% SPEED

Percentage calculated in comparison with the 230 Volt version



PROTECT YOUR FAMILY

Closes the gate quickly to protect your family



INDUSTRIAL APPLICATIONS

For sliding gates up to 1200 kg

MASTER-R opening speed = 24 m/min



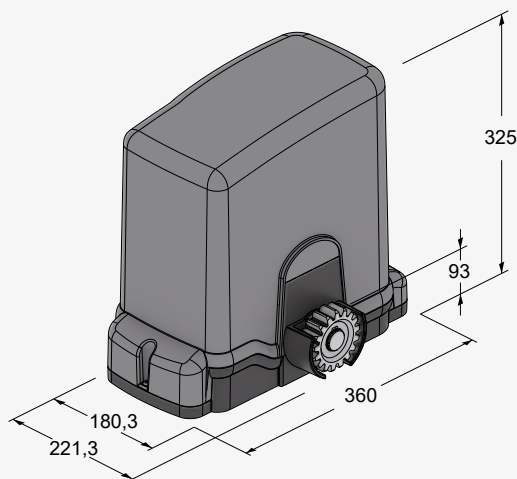
MASTER20 opening speed = 10,5 m/min



SAVES TIME

TECHNICAL DRAWINGS

Technical features	MASTER-R	MASTER-RF
Power supply	230V AC (50 - 60 Hz)	230V AC (50 - 60 Hz)
Motor power supply	24 V DC	24 V DC
Open circuit voltage	1,8 A	1,8 A
Power rating	360 W	360 W
Max. operating speed	24 m/min (opening) 14 or 24 m/min (closing)	24 m/min (opening) 14 or 24 m/min (closing)
Duty cycle	100 %	100 %
Operating temperature	-20° C ÷ +55° C	-20° C ÷ +55° C
Motor thermal protection	-	-
Degree of protection	IP 54	IP 54
Max. gate leaf weight	1200 kg	1200 kg
Max. weight cantilever gate leaf	840 kg	840 kg
Pinion module	4	4
Electronic control unit	K130MA	K130MA
Electromechanical limit switches	-	✓



ACCESSORIES

COMMON ACCESSORIES



P-550CPMR
Adjustable counterplate from min. 65 mm to max 94 mm



P-550CPMR1
Adjustable counterplate from min. 124 to max 202 mm



K-550CPM
Counterplate



P-550CPM0020
Counterplate H 40 mm



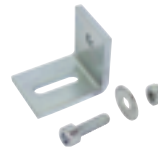
P-400CFZ12
Steel rack 30x12, complete with screws (Module 4, max 2000 kg) Pack of 4 m



P-400CFZ22
Steel rack 22x22 (Module 4, max 3000 kg) 2 meter sections. Pack of 4 m



P-400FI
Adjustable hydraulic brake for sliding gates on a slope



P-400VSF20
Screws and brackets for P-400CFZ22 (40 units per pcs)



M-ING0MSTZ12
Pinion module 6



P-700BAP4
Gate stopper with spring



P-900TWM
Master receiver for central interface (manages up to max. 4 TWCs).



P-900BSD15
Deformable safety edge kit $l = 1,5$ m



P-900TWC
Battery-powered wireless slave transmitter for mobile/fixed sensitive edge (manages up to max. 2 sensitive edges per TWC).



P-900OPTIC
Set of infrared safety photocells, 12/24 V, surface mount, beam alignment adjustable up to 15°, up to 20 m range



P-650ESE02
External emergency release device (flush-mounted) with tamper-proof housing and 4 m cable



P-900T-COMM
Interface for connecting 2 opposite sliding gate automation in master/slave mode (**P-500MASTER20T excluded**)



C-TARG
Aluminium CE mark label, self adhesive



P-250T-WIFI
Device for Wi-Fi connection 2,4 GHz to allow the smartphone to remotely control and program the control units via TauApp. (**P-500MASTER20T excluded**)

ACCESSORIES FOR 18/24 VOLT



K-200KB4
Battery charger and backup battery kit



P-500MASTERKITFC
Electromechanical limit switches kit for MASTER.

NEW

ACCESSORIES FOR 400 VOLT (MASTER20T)



P-600D703
230/400 V electronic control unit for one gate operator with electrical brake (P-500MASTER20T)



P-900VLED-AT
230 V AC white led flashing light



P-250RXSM2
Self-learning, two-channel, 433,92 MHz plug-in radio receiver. Accepts up to 14 rolling code transmitters



P-750COL
Control unit mounting post

CHAIN VERSION

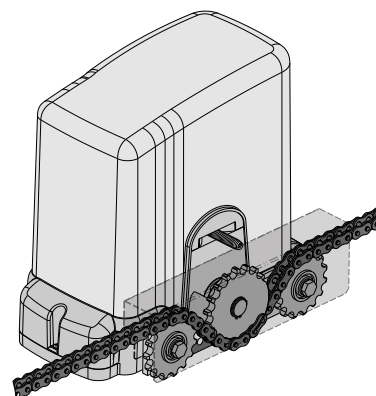
Upon request, the MASTER gearmotor is available with the pinion for chain transmission.

120 VOLT VERSION



AVAILABLE

Upon request, the MASTER gearmotor is also available in the 120 Volt version for foreign markets



Use and maintenance manuals



MASTER



K130MA



K590M



D703