

# GATE OPERATOR **MASTER**

**18QR 18QRF**

**DC**  
MOTOR

Up to  
1800 kg

Speed  
14 m/min



## **P-500MASTER18QR**

DC sliding gate operator with encoder, complete with electronic control unit and built-in 433,92 MHz rolling code radio receiver. Max. gate weight 1800 kg.

## **P-500MASTER18QRF**

DC sliding gate operator with encoder, electromechanical limit switches, complete with electronic control unit and built-in 433,92 MHz rolling code radio receiver. Max. gate weight 1800 kg.



**Accessories for  
MASTER series**  
Page 44



**Further accessories:**  
Transmitters page 238  
Photocells page 243  
Flashing lights  
page 246



## FEATURES:

- apartment building/commercial use
- for gates up to 1800 kg
- low voltage dc gate operator
- optical encoder technology

## PROS:

- obstacle detection and crush prevention
- in accordance with en 12453 standards\*
- works even during power outage thanks to the optional backup battery
- fast operating speed
- intensive use, ideal for use on apartment buildings and public entrances
- external emergency release available (optional, P/N P-650ESE02)
- auto-learning of the gate stroke through optical encoder



### ELECTRONIC CONTROL UNIT

Protected electronic control unit built-in in the motor complete with radio receiver.



### RELIABILITY

Both 12 and 24 V versions work even during power outage thanks to the optional backup battery.



### OPTICAL ENCODER

Obstacle detection and anti-crushing safety ensured by the optical encoder. The encoder also manages the deceleration in the closing and opening phases and the adjustment of the gate stroke which doesn't require a limit switches.

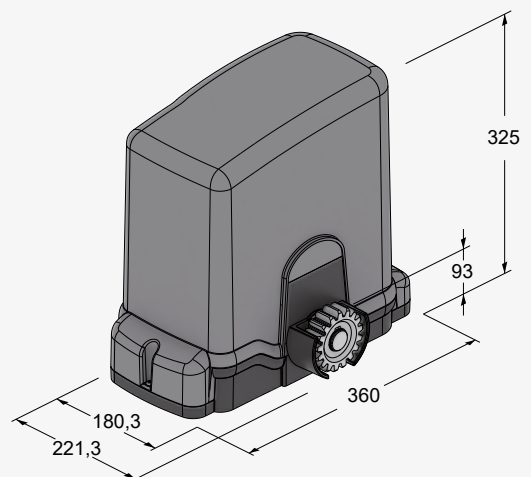


### TOTAL CONNECT

By combining the P-250T-CONNECT module, it is possible to control the automation remotely by your smartphone.

## TECHNICAL DRAWINGS

Technical features	MASTER18QR	MASTER18QRF
Power supply	230V AC (50 - 60 Hz)	230V AC (50 - 60 Hz)
Motor power supply	18 V DC	18 V DC
Open circuit voltage	1,6 A	1,6 A
Power rating	360 W	360 W
Max. operating speed	14 m/min	14 m/min
Duty cycle	100 %	100 %
Operating temperature	-20° C ÷ +55° C	-20° C ÷ +55° C
Motor thermal protection	-	-
Degree of protection	IP 54	IP 54
Max. gate leaf weight	1800 kg	1800 kg
Max. weight cantilever gate leaf	1260 kg	1260 kg
Pinion module	4	4
Electronic control unit	K130MA	K130MA
Electromechanical limit switches	-	✓



\*The use of the wireless safety edge system is necessary in order to certify an installation when the gate weight is more than 500 kg.

# ACCESSORIES

## COMMON ACCESSORIES



**P-550CPMR**  
Adjustable counterplate from min. 65 mm to max 94 mm



**P-550CPMR1**  
Adjustable counterplate from min. 124 to max 202 mm



**K-550CPM**  
Counterplate



**P-550CPM0020**  
Counterplate H 40 mm



**P-400CFZ12**  
Steel rack 30x12, complete with screws (Module 4, max 2000 kg) Pack of 4 m



**P-400CFZ22**  
Steel rack 22x22 (Module 4, max 3000 kg) 2 meter sections. Pack of 4 m



**P-400FI**  
Adjustable hydraulic brake for sliding gates on a slope



**P-400VSF20**  
Screws and brackets for P-400CFZ22 (40 units per pcs)



**M-ING0MSTZ12**  
Pinion module 6



**P-700BAP4**  
Gate stopper with spring



**P-900TWM**  
Master receiver for central interface (manages up to max. 4 TWCs).



**P-900BSD15**  
Deformable safety edge kit  $l = 1,5$  m



**P-900TWC**  
Battery-powered wireless slave transmitter for mobile/fixed sensitive edge (manages up to max. 2 sensitive edges per TWC).



**P-900BSD20**  
Deformable safety edge kit  $l = 2$  m



**P-650ESE02**  
External emergency release device (flush-mounted) with tamper-proof housing and 4 m cable



**P-900OPTIC**  
Set of infrared safety photocells, 12/24 V, surface mount, beam alignment adjustable up to 15°, up to 20 m range



**C-TARG**  
Aluminium CE mark label, self adhesive



**P-900T-COMM**  
Interface for connecting 2 opposite sliding gate automation in master/slave mode (**P-500MASTER20T excluded**)



**P-250T-WIFI**  
Device for Wi-Fi connection 2,4 GHz to allow the smartphone to remotely control and program the control units via TauApp. (**P-500MASTER20T excluded**)

## ACCESSORIES FOR 18/24 VOLT



**K-200KB4**  
Battery charger and backup battery kit



**P-500MASTERKITFC**  
Electromechanical limit switches kit for MASTER.

**NEW**

## ACCESSORIES FOR 400 VOLT (MASTER20T)



**P-600D703**  
230/400 V electronic control unit for one gate operator with electrical brake (P-500MASTER20T)



**P-900VLED-AT**  
230 V AC white led flashing light



**P-250RXSM2**  
Self-learning, two-channel, 433,92 MHz plug-in radio receiver. Accepts up to 14 rolling code transmitters



**P-750COL**  
Control unit mounting post

## CHAIN VERSION

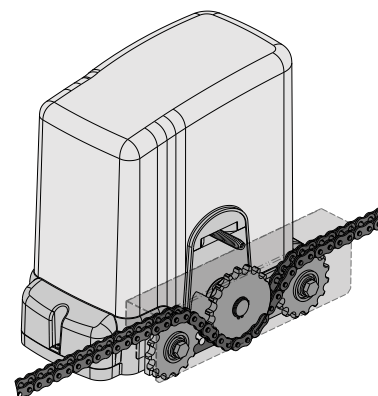
Upon request, the MASTER gearmotor is available with the pinion for chain transmission.

## 120 VOLT VERSION



AVAILABLE

Upon request, the MASTER gearmotor is also available in the 120 Volt version for foreign markets



## Use and maintenance manuals



MASTER



K130MA



K590M



D703