

P-350T-ONE4B

DC sliding gate operator with magnetic encoder, complete with electronic control unit and built-in 433,92 MHz rolling code radio receiver. Max. gate weight 400 kg. (Sold only as a kit).

P-350T-ONE4BF

DC sliding gate operator with magnetic encoder, electro-mechanical limit switches, complete with electronic control unit and built-in 433,92 MHz rolling code radio receiver. Max. gate weight 400 kg. (Sold only as a kit).



Accessories for T-ONE series
Page 36



Further accessories:
Transmitters page 238
Photocells page 243
Flashing lights page 246



AVAILABLE



MADE IN ITALY

FEATURES:

- residential use
- for gates up to 400 kg
- low voltage DC gate operator
- Magnetic encoder technology
- electronic control unit with built-in receiver
- only available in the kit version

PROS:

- obstacle detection and crush prevention
- in accordance with EN 12453 standards
- works even during power outage thanks to the optional backup battery
- external emergency release available (optional, P/N P-650ESE03)
- soft start and soft stop
- self-adjusting gate stroke through magnetic encoder



PROTECTION

The control unit is protected by a cover complete with buttons for programming and stroke adjustments without the use of tools. The diagnostic leds are easily visible and the protection fuses are easy to remove.



INSTALLATION

Safer installation thanks to the 4 fixing points and to the practical height adjustment. The cover is made of non-scratch UVA-resistant engineering plastics.



PRACTICAL

The manual release is easy, intuitive and protected by a personal key. External emergency release available.



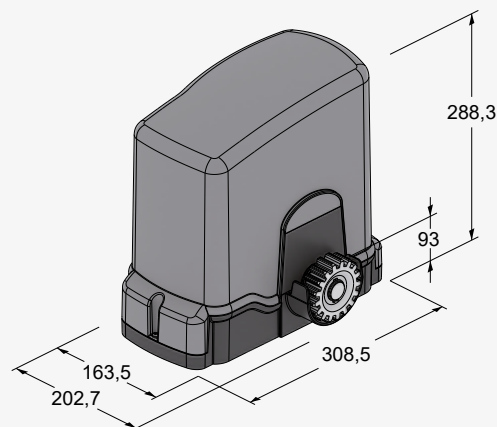
SAFETY

Obstacle detection and anti-crushing safety ensured by the magnetic encoder. The encoder also manages the deceleration in the closing and opening phases and the adjustment of the gate stroke which doesn't require a limit switches.

TECHNICAL DRAWINGS

Technical features	T-ONE4B	T-ONE4BF
Power supply	230 V AC (50 - 60 Hz)	230 V AC (50 - 60 Hz)
Motor power supply	24 V DC	24 V DC
Open circuit voltage	1,3 A	1,3 A
Power rating	200 W	200 W
Max. operating speed	14 m/min	14 m/min
Duty cycle	100 %	100 %
Operating temperature	-20° C ÷ +55° C	-20° C ÷ +55° C
Motor thermal protection	-	-
Degree of protection	IP 54	IP 54
Max. gate leaf weight	400 Kg*	400 Kg*
Pinion module	4	4
Electronic control unit	K124MA	K124MA
Electromechanical limit switches		✓

* Not recommended for gates on a slope and for cantilevers





KIT

DC
MOTOR

Up to
400 kg



K-T-ONEKIT4BL

Complete automation kit for sliding gates up to 400 kg, with **P-350T-ONE4B** gate operator

Version with limit switches

K-T-ONEKIT4BF

Complete automation kit for sliding gates up to 400 kg, with **P-350T-ONE4BF** gate operator



K-T-ONEKIT4BL2

Complete automation kit for sliding gates up to 400 kg, with **P-350T-ONE4B** gate operator

Version with limit switches

K-T-ONEKIT4BF2

Complete automation kit for sliding gates up to 400 kg, with **P-350T-ONE4BF** gate operator

Accessories included in the kit:



P-900VLED Low voltage 12-18-24 Volt white led flashing light



P-300TKEY + P-300TSL Die-cast aluminium key switch + LED courtesy light for T-KEY



P-900OPTIC Set of infrared safety photocells, 12/24 V, surface mount, beam alignment adjustable up to 15°, up to 20 m range



P-400CPO Counterplate



P-250K-SLIMRP Two-channel transmitter, rolling code technology, 433,92 MHz



C-CRT Warning signal

Accessories included in the kit:



P-900VLED Low voltage 12-18-24 Volt white led flashing light



P-900OPTIC Set of infrared safety photocells, 12/24 V, surface mount, beam alignment adjustable up to 15°, up to 20 m range



P-400CPO Counterplate



P-250K-SLIMRP Two-channel transmitter, rolling code technology, 433,92 MHz



P-250K-SLIMRP Two-channel transmitter, rolling code technology, 433,92 MHz



C-CRT Warning signal

ACCESSORIES

COMMON ACCESSORIES



P-400CPO
Counterplate



K-400CPE
40 mm overhead counterplate



P-550CPMR
Adjustable counterplate from min. 65 mm to max. 94 mm



P-550CPMR1
Adjustable counterplate from min. 124 to max. 202 mm



K-400CPE75
75 mm overhead counterplate



P-400VP40
Screws for P-400CN (40 screws per pkg)



P-400CN
Steel core, fibreglass reinforced, 22x22 nylon rack (Module 4, max 800 kg). Pack of 10 m



P-400CFZ12
Steel rack 30x12, complete with screws (Module 4, max 2000 kg) Pack of 4 m



P-400FI
Adjustable hydraulic brake for sliding gates on a slope (not suitable for mod.350T-ONE3B)



P-650ESE03
External emergency release device (flush-mounted) with tamper-proof housing and 4 m cable



P-900TWM
Master receiver for central interface (manages up to max. 4 TWCs).



P-700BAP4
Gate stopper with spring



P-900TWC
Battery-powered wireless slave transmitter for mobile/fixed sensitive edge (manages up to max. 2 sensitive edges per TWC).



P-900BSD15
Deformable safety edge kit $l = 1,5$ m

P-900BSD20
Deformable safety edge kit $l = 2$ m



P-400FCM
Magnetic limit switches



P-900T-COMM
Interface for connecting 2 opposite sliding gate automation in master/slave mode



P-250T-CONNECT
Ethernet + Wi-Fi device - to enable through TauOpen 2.0 application, the use of the smartphone remotely, to open/close and check the status of the gate



P-250T-WIFI
Device for Wi-Fi connection 2,4 GHz to allow the smartphone to remotely control and program the control units via TauApp



P-250SM126
Memory card for 126 radio codes;

P-250SM254
Memory card for 254 radio codes;

ACCESSORIES FOR 18/24 VOLT



K-200KB4
Battery charger and backup battery kit



P-350T-ONEKITFC NEW
Electromechanical limit switches kit for T-ONE. The carter needs to be replaced (cod. S-350EVO0150) (Only for gate operator produced before 2024)

CHAIN VERSION

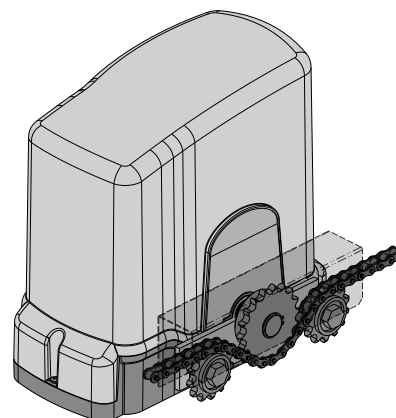
Upon request, the T-ONE gearmotor is available with the pinion for chain transmission.

120 VOLT VERSION



AVAILABLE

Upon request, the T-ONE gearmotor is also available in the 120 Volt version for foreign markets



Use and maintenance manuals



T-ONE



K124MA



K128MA



K130MA



K590M