

GATE OPERATOR

T-ONE

5A

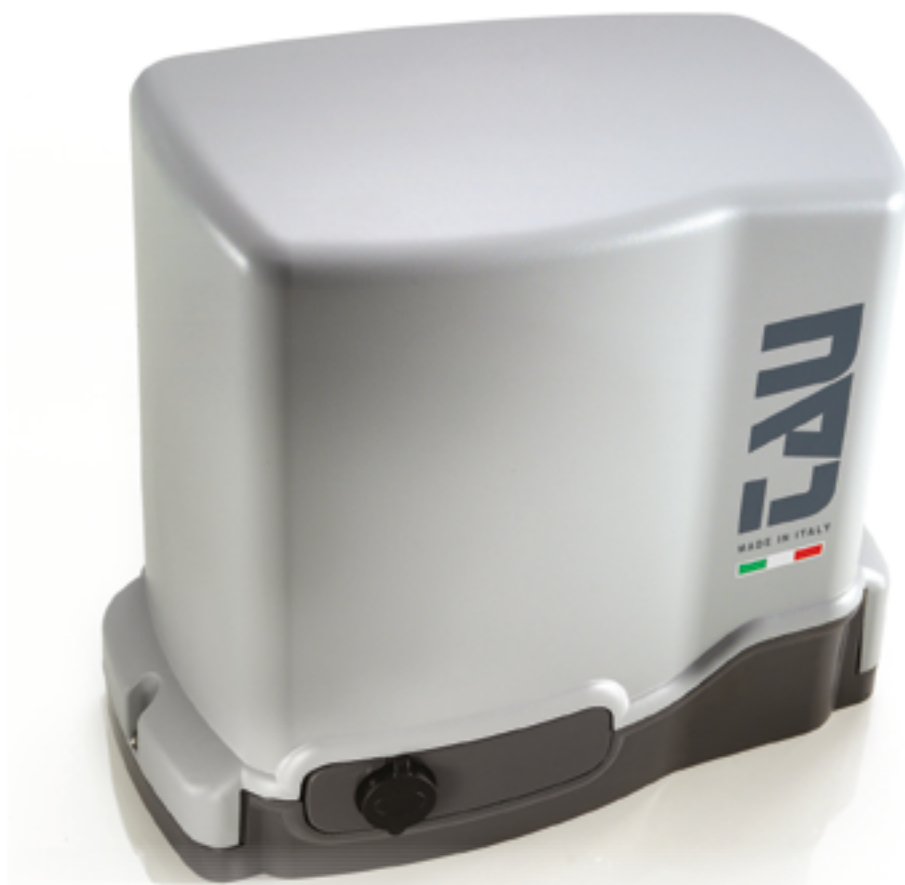
8A

XLA

230 V

Up to
1200 kg

Speed
10,5 m/min



P-350T-ONE5A

230 V sliding gate operator with encoder and electromechanical limit switches, complete with electronic control unit and built-in 433,92 MHz rolling code radio receiver. Max. gate weight 500 kg.

P-350T-ONE8A

230 V sliding gate operator with encoder and electromechanical limit switches, complete with electronic control unit and built-in 433,92 MHz rolling code radio receiver. Max. gate weight 800 kg.

P-350T-ONEXLA

230 V sliding gate operator with encoder and electromechanical limit switches, complete with electronic control unit and built-in 433,92 MHz rolling code radio receiver. Max. gate weight 1200 kg.



**Accessories for
T-ONE series**
Page 36



Further accessories:
Transmitters page 238
Photocells page 243
Flashing lights
page 246

FEATURES:

- residential/apartment building use
- for gates up to 500/800/1200 kg
- 230 V gate operator
- built-in mechanical limit switches or magnetic limit switches available (optional)
- optical encoder technology for obstacle detection
- electronic control unit with built-in three-channel receiver
- quick programming

PROS:

- quick and easy installation
- obstacle detection and crush prevention
- in accordance with EN 12453 standards* suitable for large sliding gates
- high torque and power
- external emergency release available (optional, P/N P-650ESE03)



MECHANICS OF EXCELLENCE

The gearmotor is built with gears of top quality materials such as carbon steel and ferritic-pearlitic cast iron.



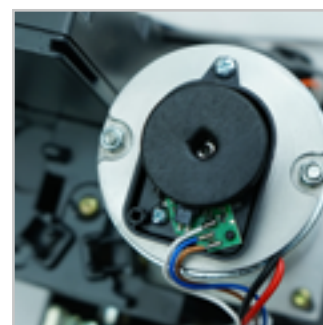
MAXIMUM POWER

Reliability, power and minimum dimensions are the characteristics that distinguish the gearmotors of the T-ONE series.



CONTROL ELECTRONICS

Quick and intuitive programming thanks to signalling LEDs. Two-channel radio receiver built-in the control unit (433,92 MHz, 30 codes to memorize).

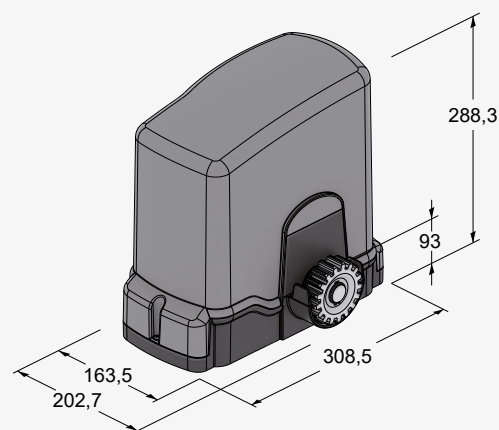


SAFETY

Optical encoder technology as standard on all versions in order to grant a continued and reliable obstacle control.

TECHNICAL DRAWINGS

Technical features	T-ONE5A	T-ONE8A	T-ONEXLA
Power supply	230 V AC (50 - 60 Hz)	230 V AC (50 - 60 Hz)	230 V AC (50 - 60 Hz)
Motor power supply	230 V AC	230 V AC	230 V AC
Open circuit voltage	1,2 A	1,3 A	2,1 A
Power rating	220 W	240 W	340 W
Max. operating speed	10,5 m/min	10,5 m/min	10,5 m/min
Duty cycle	40 %	40 %	40 %
Operating temperature	-20° C ÷ +55° C	-20° C ÷ +55° C	-20° C ÷ +55° C
Motor thermal protection	150°C	150°C	150°C
Degree of protection	IP 54	IP 54	IP 54
Max. gate leaf weight	500 kg	800 kg	1200 kg
Max. weight cantilever gate leaf	350 kg	560 kg	840 kg
Pinion module	4	4	4
Electronic control unit	K590M	K590M	K590M



*The use of the wireless safety edge system is necessary in order to certify an installation when the gate weight is more than 500 kg.



KIT

230 V | Up to 500 kg



K-T-ONEKIT5A

Complete automation kit for sliding gates up to 500 kg, with **P-350T-ONE5A** gate operator



K-T-ONEKIT5A2

Complete automation kit for sliding gates up to 500 kg, with **P-350T-ONE5A** gate operator

Accessories included in the kit:



P-900VLED Low voltage 12-18-24 Volt white led flashing light



P-300TKEY + P-300TSL Die-cast aluminium key switch + LED courtesy light for T-KEY



P-900OPTIC Set of infrared safety photocells, 12/24 V, surface mount, beam alignment adjustable up to 15°, up to 20 m range



P-400CPO Counterplate



P-250K-SLIMRP Two-channel transmitter, rolling code technology, 433,92 MHz



C-CRT Warning signal

Accessories included in the kit:



P-900VLED Low voltage 12-18-24 Volt white led flashing light



P-900OPTIC Set of infrared safety photocells, 12/24 V, surface mount, beam alignment adjustable up to 15°, up to 20 m range



P-400CPO Counterplate



P-250K-SLIMRP Two-channel transmitter, rolling code technology, 433,92 MHz



P-250K-SLIMRP Two-channel transmitter, rolling code technology, 433,92 MHz



C-CRT Warning signal



KIT

230 V

Up to 800 kg



K-T-ONEKIT8A

Complete automation kit for sliding gates up to 800 kg, with **P-350T-ONE8A** gate operator



K-T-ONEKIT8A2

Complete automation kit for sliding gates up to 800 kg, with **P-350T-ONE8A** gate operator

Accessories included in the kit:



P-900VLED Low voltage 12-18-24 Volt white led flashing light



P-300TKEY + P-300TSL Die-cast aluminium key switch + LED courtesy light for T-KEY



P-900OPTIC Set of infrared safety photocells, 12/24 V, surface mount, beam alignment adjustable up to 15°, up to 20 m range



P-400CPO Counterplate



P-250K-SLIMRP Two-channel transmitter, rolling code technology, 433,92 MHz



C-CRT Warning signal

Accessories included in the kit:



P-900VLED Low voltage 12-18-24 Volt white led flashing light



P-900OPTIC Set of infrared safety photocells, 12/24 V, surface mount, beam alignment adjustable up to 15°, up to 20 m range



P-400CPO Counterplate



P-250K-SLIMRP Two-channel transmitter, rolling code technology, 433,92 MHz



P-250K-SLIMRP Two-channel transmitter, rolling code technology, 433,92 MHz



C-CRT Warning signal



KIT

230 V

Up to 1200 kg



K-T-ONEKITXLA

Complete automation kit for sliding gates up to 1200 kg, with P-350T-ONEXLA gate operator



T-ONEKITXLA2

Complete automation kit for sliding gates up to 1200 kg, with P-350T-ONEXLA gate operator

Accessories included in the kit:



P-900VLED Low voltage 12-18-24 Volt white led flashing light



P-300TKEY + P-300TSL Die-cast aluminium key switch + LED courtesy light for T-KEY



P-900OPTIC Set of infrared safety photocells, 12/24 V, surface mount, beam alignment adjustable up to 15°, up to 20 m range



P-400CPO Counterplate



P-250K-SLIMRP Two-channel transmitter, rolling code technology, 433,92 MHz



C-CRT Warning signal

Accessories included in the kit:



P-900VLED Low voltage 12-18-24 Volt white led flashing light



P-900OPTIC Set of infrared safety photocells, 12/24 V, surface mount, beam alignment adjustable up to 15°, up to 20 m range



P-400CPO Counterplate



P-250K-SLIMRP Two-channel transmitter, rolling code technology, 433,92 MHz



P-250K-SLIMRP Two-channel transmitter, rolling code technology, 433,92 MHz



C-CRT Warning signal

ACCESSORIES

COMMON ACCESSORIES



P-400CPO
Counterplate



K-400CPE
40 mm overhead counterplate



P-550CPMR
Adjustable counterplate from min. 65 mm to max. 94 mm



P-550CPMR1
Adjustable counterplate from min. 124 to max. 202 mm



K-400CPE75
75 mm overhead counterplate



P-400VP40
Screws for P-400CN (40 screws per pkg)



P-400CN
Steel core, fibreglass reinforced, 22x22 nylon rack (Module 4, max 800 kg). Pack of 10 m



P-400CFZ12
Steel rack 30x12, complete with screws (Module 4, max 2000 kg) Pack of 4 m



P-400FI
Adjustable hydraulic brake for sliding gates on a slope (not suitable for mod.350T-ONE3B)



P-650ESE03
External emergency release device (flush-mounted) with tamper-proof housing and 4 m cable



P-900TWM
Master receiver for central interface (manages up to max. 4 TWCs).



P-700BAP4
Gate stopper with spring



P-900TWC
Battery-powered wireless slave transmitter for mobile/fixed sensitive edge (manages up to max. 2 sensitive edges per TWC).



P-900BSD15
Deformable safety edge kit $l = 1,5$ m

P-900BSD20
Deformable safety edge kit $l = 2$ m



P-400FCM
Magnetic limit switches



P-900T-COMM
Interface for connecting 2 opposite sliding gate automation in master/slave mode



P-250T-CONNECT
Ethernet + Wi-Fi device - to enable through TauOpen 2.0 application, the use of the smartphone remotely, to open/close and check the status of the gate



P-250T-WIFI
Device for Wi-Fi connection 2,4 GHz to allow the smartphone to remotely control and program the control units via TauApp



P-250SM126
Memory card for 126 radio codes;

P-250SM254
Memory card for 254 radio codes;

ACCESSORIES FOR 18/24 VOLT



K-200KB4
Battery charger and backup battery kit



P-350T-ONEKITFC NEW
Electromechanical limit switches kit for T-ONE. The carter needs to be replaced (cod. S-350EVO0150) (Only for gate operator produced before 2024)

CHAIN VERSION

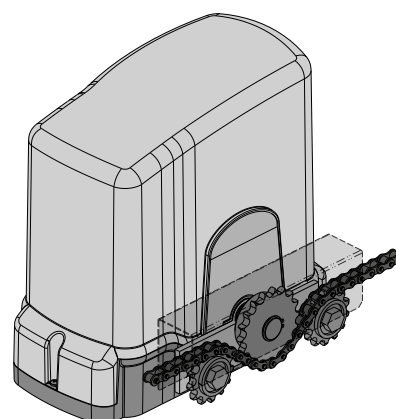
Upon request, the T-ONE gearmotor is available with the pinion for chain transmission.

120 VOLT VERSION



AVAILABLE

Upon request, the T-ONE gearmotor is also available in the 120 Volt version for foreign markets



Use and maintenance manuals



T-ONE



K124MA



K128MA



K130MA



K590M