

GATE OPERATOR

T-ONE

6B 6BF

DC
MOTOR

Up to
600 kg

Speed
14 m/min



P-350T-ONE6B

DC sliding gate operator with encoder, complete with electronic control unit and built-in 433,92 MHz rolling code radio receiver. Max. gate weight 600 kg.

P-350T-ONE6BF

DC sliding gate operator with encoder, electromechanical limit switches, complete with electronic control unit and built-in 433,92 MHz rolling code radio receiver. Max. gate weight 600 kg.



**Accessories for
T-ONE series**
Page 36



Further accessories:
Transmitters page 238
Photocells page 243
Flashing lights
page 246



AVAILABLE



MADE IN ITALY

FEATURES:

- residential/apartment building use
- for gates up to 600 kg
- low voltage DC gate operator
- optical encoder technology
- electronic control unit with built-in three-channel receiver

PROS:

- obstacle detection and crush prevention
- in accordance with EN 12453 standards
- works even during power outage thanks to the optional backup battery
- intensive use, ideal for use on apartment buildings and public entrances
- external emergency release available (optional, P/N P-650ESE03)
- soft start and soft stop
- auto-learning of the gate stroke through optical encoder



INTENSIVE USE

100% continuous working cycle thanks to the low voltage DC motor.



OPTICAL ENCODER

Obstacle detection and anti-crushing safety ensured by the optical encoder. The encoder also manages the deceleration in the closing and opening phases and the adjustment of the gate stroke which doesn't require a limit switches.



RELIABILITY

Both 12 and 24 V versions work even during power outage thanks to the optional backup battery.

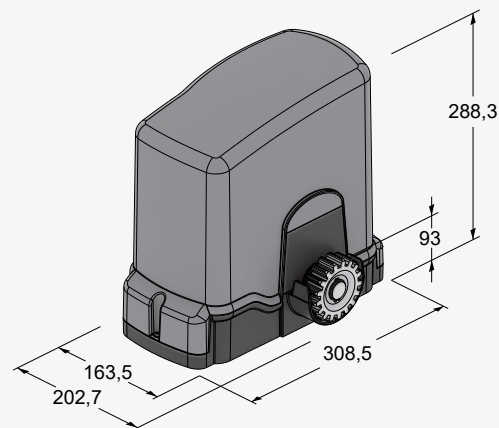


TOTAL CONNECT

By combining the P-250T-CONNECT module, it is possible to control the automation remotely by your smartphone.

TECHNICAL DRAWINGS

Technical features	T-ONE6B	T-ONE6BF
Power supply	230 V AC (50 - 60 Hz)	230 V AC (50 - 60 Hz)
Motor power supply	18 V DC	18 V DC
Open circuit voltage	1,05 A	1,05 A
Power rating	250 W	250 W
Max. operating speed	14 m/min	14 m/min
Duty cycle	100 %	100 %
Operating temperature	-20° C ÷ +55° C	-20° C ÷ +55° C
Motor thermal protection	-	-
Degree of protection	IP 54	IP 54
Max. gate leaf weight	600 kg	600 kg
Max. weight cantilever gate leaf	420 kg	420 kg
Pinion module	4	4
Electronic control unit	K128MA	K128MA
Electromechanical limit switches	-	✓



*The use of the wireless safety edge system is necessary in order to certify an installation when the gate weight is more than 500 kg.



KIT

**DC
MOTOR**

Up to
600 kg



K-T-ONEKIT6BL

Complete automation kit for sliding gates up to 600 kg, with **P-350T-ONE6B** gate operator

Version with limit switches

K-T-ONEKIT6BF

Complete automation kit for sliding gates up to 600 kg, with **P-350T-ONE6BF** gate operator



K-T-ONEKIT6BL2

Complete automation kit for sliding gates up to 600 kg, with **P-350T-ONE6B** gate operator

Version with limit switches

K-T-ONEKIT6BF2

Complete automation kit for sliding gates up to 600 kg, with **P-350T-ONE6BF** gate operator

Accessories included in the kit:



P-900VLED Low voltage 12-18-24 Volt white led flashing light



P-300TKEY + P-300TSL Die-cast aluminium key switch + LED courtesy light for T-KEY



P-900OPTIC Set of infrared safety photocells, 12/24 V, surface mount, beam alignment adjustable up to 15°, up to 20 m range



P-400CPO Counterplate



P-250K-SLIMRP Two-channel transmitter, rolling code technology, 433,92 MHz



C-CRT Warning signal

Accessories included in the kit:



P-900VLED Low voltage 12-18-24 Volt white led flashing light



P-900OPTIC Set of infrared safety photocells, 12/24 V, surface mount, beam alignment adjustable up to 15°, up to 20 m range



P-400CPO Counterplate



P-250K-SLIMRP Two-channel transmitter, rolling code technology, 433,92 MHz



P-250K-SLIMRP Two-channel transmitter, rolling code technology, 433,92 MHz



C-CRT Warning signal

ACCESSORIES

COMMON ACCESSORIES



P-400CPO
Counterplate



K-400CPE
40 mm overhead counterplate



P-550CPMR
Adjustable counterplate from min. 65 mm to max. 94 mm



P-550CPMR1
Adjustable counterplate from min. 124 to max. 202 mm



K-400CPE75
75 mm overhead counterplate



P-400VP40
Screws for P-400CN (40 screws per pkg)



P-400CN
Steel core, fibreglass reinforced, 22x22 nylon rack (Module 4, max 800 kg). Pack of 10 m



P-400CFZ12
Steel rack 30x12, complete with screws (Module 4, max 2000 kg) Pack of 4 m



P-400FI
Adjustable hydraulic brake for sliding gates on a slope (not suitable for mod.350T-ONE3B)



P-650ESE03
External emergency release device (flush-mounted) with tamper-proof housing and 4 m cable



P-900TWM
Master receiver for central interface (manages up to max. 4 TWCs).



P-700BAP4
Gate stopper with spring



P-900TWC
Battery-powered wireless slave transmitter for mobile/fixed sensitive edge (manages up to max. 2 sensitive edges per TWC).



P-900BSD15
Deformable safety edge kit $l = 1,5$ m

P-900BSD20
Deformable safety edge kit $l = 2$ m



P-400FCM
Magnetic limit switches



P-900T-COMM
Interface for connecting 2 opposite sliding gate automation in master/slave mode



P-250T-CONNECT
Ethernet + Wi-Fi device - to enable through TauOpen 2.0 application, the use of the smartphone remotely, to open/close and check the status of the gate



P-250T-WIFI
Device for Wi-Fi connection 2,4 GHz to allow the smartphone to remotely control and program the control units via TauApp



P-250SM126
Memory card for 126 radio codes;

P-250SM254
Memory card for 254 radio codes;

ACCESSORIES FOR 18/24 VOLT



K-200KB4
Battery charger and backup battery kit



P-350T-ONEKITFC NEW
Electromechanical limit switches kit for T-ONE. The carter needs to be replaced (cod. S-350EVO0150) (Only for gate operator produced before 2024)

CHAIN VERSION

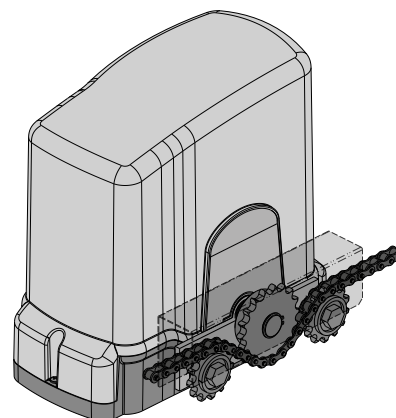
Upon request, the T-ONE gearmotor is available with the pinion for chain transmission.

120 VOLT VERSION



AVAILABLE

Upon request, the T-ONE gearmotor is also available in the 120 Volt version for foreign markets



Use and maintenance manuals



T-ONE



K124MA



K128MA



K130MA



K590M