

GATE OPERATOR

T-ONE

8BRF



DC
MOTOR

Up to
800 kg

Speed
24 m/min



P-350T-ONE8BR

DC sliding gate operator with encoder, complete with electronic control unit and built-in 433,92 MHz rolling code radio receiver. Speed up to 24 m/min. Max. gate weight 800 kg.

P-350T-ONE8BRF

DC sliding gate operator with encoder, electromechanical limit switches, complete with electronic control unit and built-in 433,92 MHz rolling code radio receiver. Speed up to 24 m/min. Max. gate weight 800 kg.



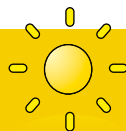
**Accessories for
T-ONE series**
Page 36



Further accessories:
Transmitters page 238
Photocells page 243
Flashing lights
page 246



AVAILABLE



MADE IN ITALY

HIGH SPEED

Ready for a new challenge.



+130% SPEED

Percentage calculated in comparison with the 230 Volt version



ALWAYS WORKING

Works also during power failures



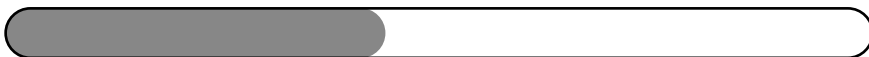
RESIDENTIAL APPLICATIONS

For sliding gates up to 800 kg

T-ONE8BR opening speed = 24 m/min



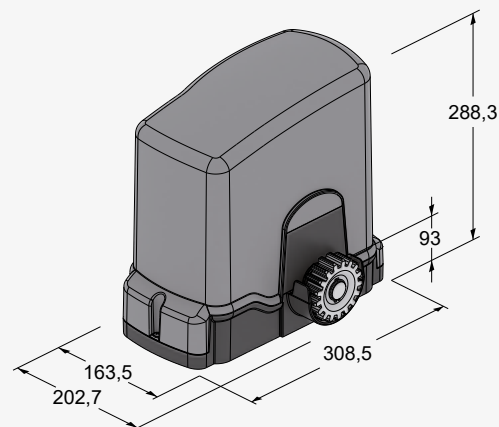
T-ONE8A opening speed = 10,5 m/min



SAVES TIME

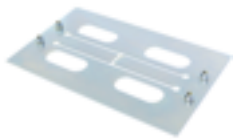
TECHNICAL DRAWINGS

Technical features	T-ONE8BR	T-ONE8BRF
Power supply	230 V AC (50 - 60 Hz)	230 V AC (50 - 60 Hz)
Motor power supply	24 V DC	24 V DC
Open circuit voltage	0,7 A	0,7 A
Power rating	300 W	300 W
Max. operating speed	24 m/min	24 m/min
Duty cycle	100 %	100 %
Operating temperature	-20° C ÷ +55° C	-20° C ÷ +55° C
Motor thermal protection	-	-
Degree of protection	IP 54	IP 54
Max. gate leaf weight	800 kg	800 kg
Max. weight cantilever gate leaf	560 kg	560 kg
Pinion module	4	4
Electronic control unit	K130MA	K130MA
Electromechanical limit switches	-	✓



ACCESSORIES

COMMON ACCESSORIES



P-400CPO
Counterplate



K-400CPE
40 mm overhead counterplate



P-550CPMR
Adjustable counterplate from min. 65 mm to max. 94 mm



P-550CPMR1
Adjustable counterplate from min. 124 to max. 202 mm



K-400CPE75
75 mm overhead counterplate



P-400VP40
Screws for P-400CN (40 screws per pkg)



P-400CN
Steel core, fibreglass reinforced, 22x22 nylon rack (Module 4, max 800 kg). Pack of 10 m



P-400CFZ12
Steel rack 30x12, complete with screws (Module 4, max 2000 kg) Pack of 4 m



P-400FI
Adjustable hydraulic brake for sliding gates on a slope (not suitable for mod.350T-ONE3B)



P-650ESE03
External emergency release device (flush-mounted) with tamper-proof housing and 4 m cable



P-900TWM
Master receiver for central interface (manages up to max. 4 TWCs).



P-700BAP4
Gate stopper with spring



P-900TWC
Battery-powered wireless slave transmitter for mobile/fixed sensitive edge (manages up to max. 2 sensitive edges per TWC).



P-900BSD15
Deformable safety edge kit $l = 1,5$ m

P-900BSD20
Deformable safety edge kit $l = 2$ m



P-400FCM
Magnetic limit switches



P-900T-COMM
Interface for connecting 2 opposite sliding gate automation in master/slave mode



P-250T-CONNECT
Ethernet + Wi-Fi device - to enable through TauOpen 2.0 application, the use of the smartphone remotely, to open/close and check the status of the gate



P-250T-WIFI
Device for Wi-Fi connection 2,4 GHz to allow the smartphone to remotely control and program the control units via TauApp



P-250SM126
Memory card for 126 radio codes;

P-250SM254
Memory card for 254 radio codes;

ACCESSORIES FOR 18/24 VOLT



K-200KB4
Battery charger and backup battery kit



P-350T-ONEKITFC NEW
Electromechanical limit switches kit for T-ONE. The carter needs to be replaced (cod. S-350EVO0150) (Only for gate operator produced before 2024)

CHAIN VERSION

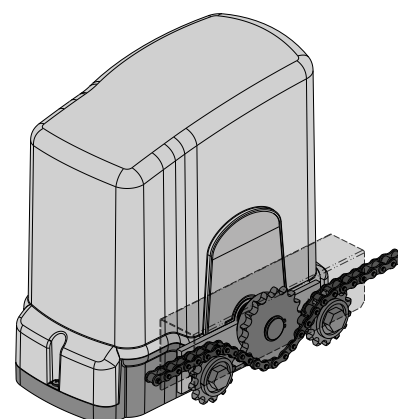
Upon request, the T-ONE gearmotor is available with the pinion for chain transmission.

120 VOLT VERSION



AVAILABLE

Upon request, the T-ONE gearmotor is also available in the 120 Volt version for foreign markets



Use and maintenance manuals



T-ONE



K124MA



K128MA



K130MA



K590M